

V5636 FR V5636-80 PED GR UND SET

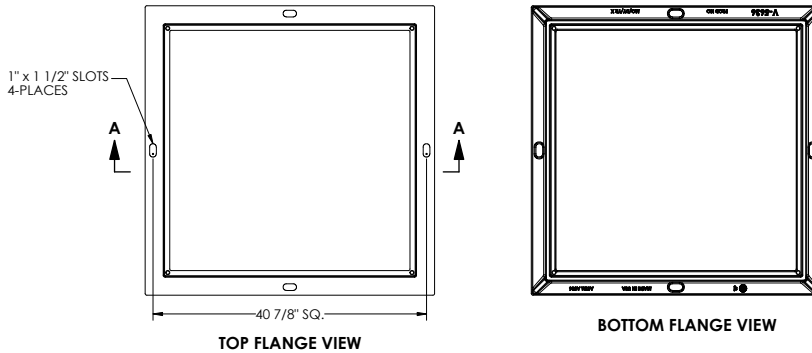
45636831C01



45636010

Quantity: 1

V5636 Frame



Product Number

45636010

Design Features

- Materials
 - Gray Iron (CL35B)
- Design Load
 - Heavy Duty
- Open Area
 - n/a
- Coating
 - Undipped
- √ Designates Machined Surface

Certification

- ASTM A48
-
- Country of Origin: USA

Drawing Revision

3/6/2009 Designer: DEW
06/14/2013 Revised By: DAE

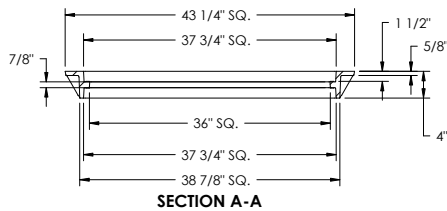
Disclaimer

Weights (lbs/kg), dimensions (inches/mm) and drawings provided for your guidance. We reserve the right to modify specifications without prior notice.

CONFIDENTIAL: This drawing is the property of EJ Group, Inc. and embodies confidential information, registered marks, patents, trade secret information, and/or know how that is the property of EJ Group, Inc. Copyright © 2011 EJ Group, Inc. All rights reserved.

Contact

800 626 4653
ejco.com

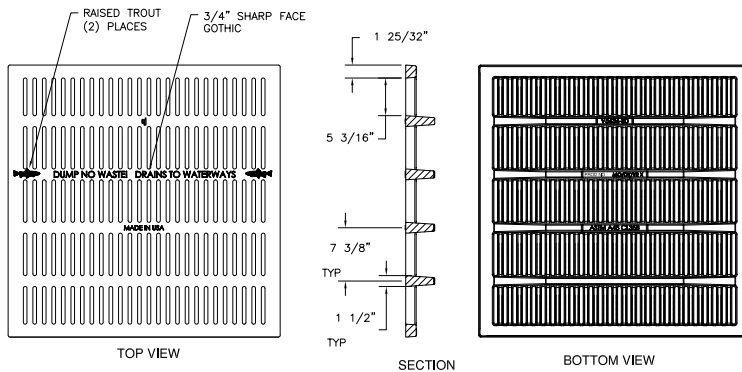


V5636-80 Grate



45636831

Quantity: 1



Product Number

45636831

Design Features

- Materials
 - Gray Iron (CL35B)
- Design Load
 - Heavy Duty
- Open Area
 - 305 sq in
- Coating
 - Undipped
- √ Designates Machined Surface

Certification

- ASTM A48
- AASHTO M306
- Country of Origin: USA

Drawing Revision

05/19/2011 Designer: JJJ
2/25/2014 Revised By: DAE

Disclaimer

Weights (lbs/kg), dimensions (inches/mm) and drawings provided for your guidance. We reserve the right to modify specifications without prior notice.

CONFIDENTIAL: This drawing is the property of EJ GROUP, Inc. and embodies confidential information, registered marks, patents, trade secret information, and/or know how that is the property of EJ GROUP, Inc. Copyright © 2012 EJ GROUP, Inc. All rights reserved.

Contact

800 626 4653
ejco.com

Disclaimer

Weight (lbs./kg), dimensions (inches/mm) and drawings provided for your guidance. We reserve the right to modify specifications without prior notices

CONFIDENTIAL: This drawing is the property of EJ GROUP, Inc., and embodies confidential information, registered marks, patents, trade secret information, and/or know how that is the property of EJ GROUP, Inc. Copyright © 2014 EJ GROUP, Inc. All rights reserved

Contact

800 626 4653
ejco.com